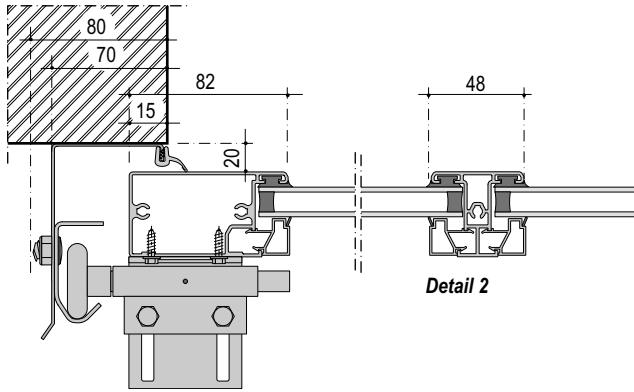
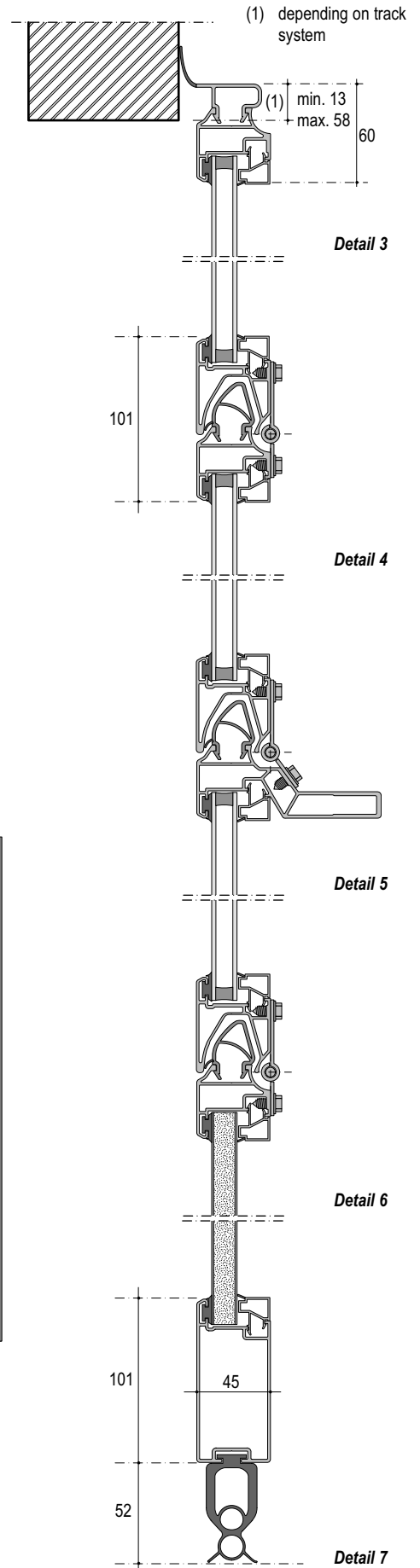
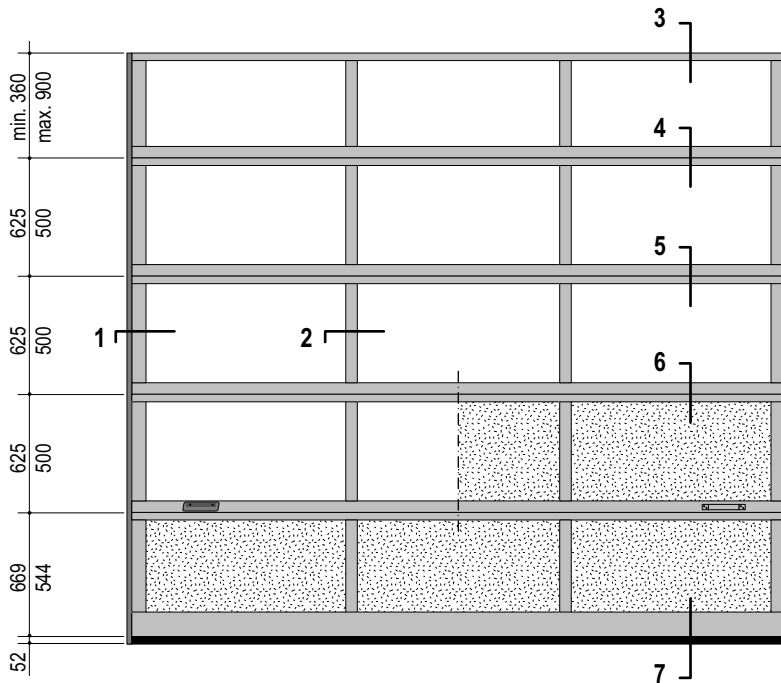


Clear opening width < 5000 mm

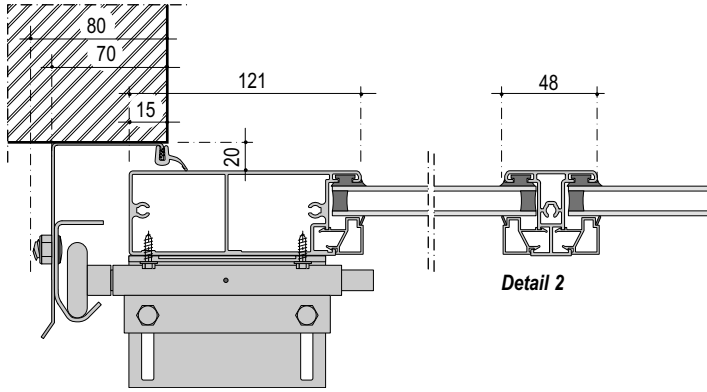


Detail 1 : W ≤ 5000 mm

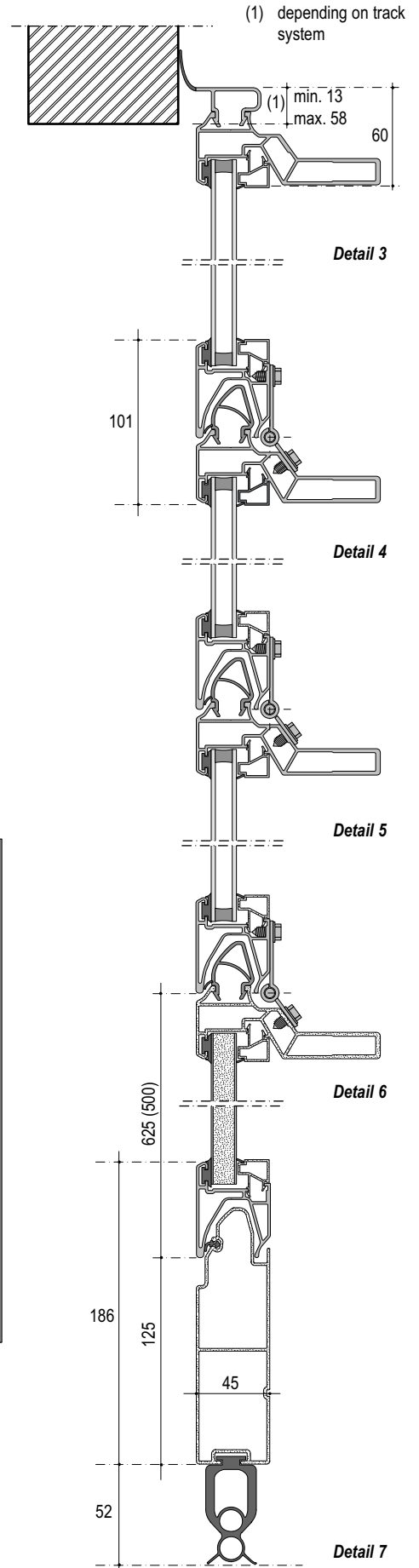
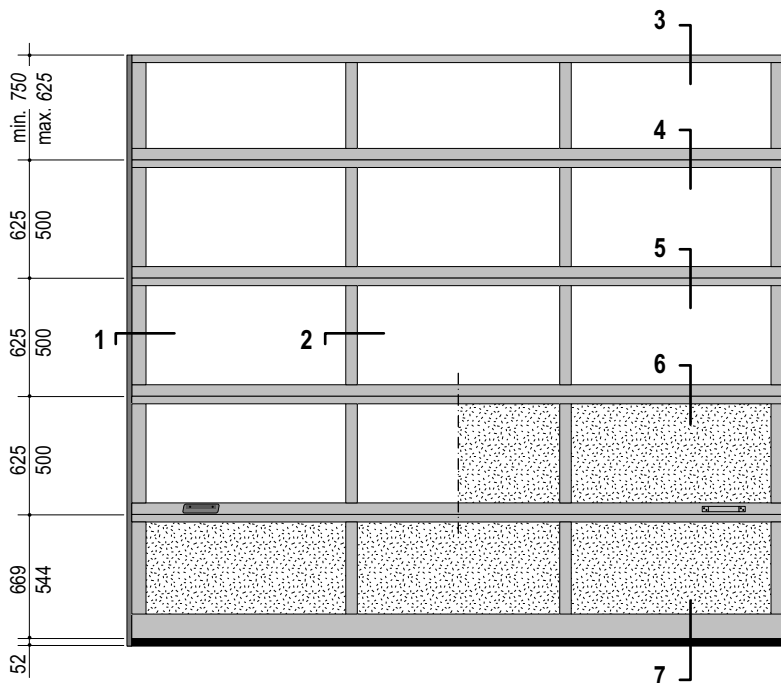
Detail 2

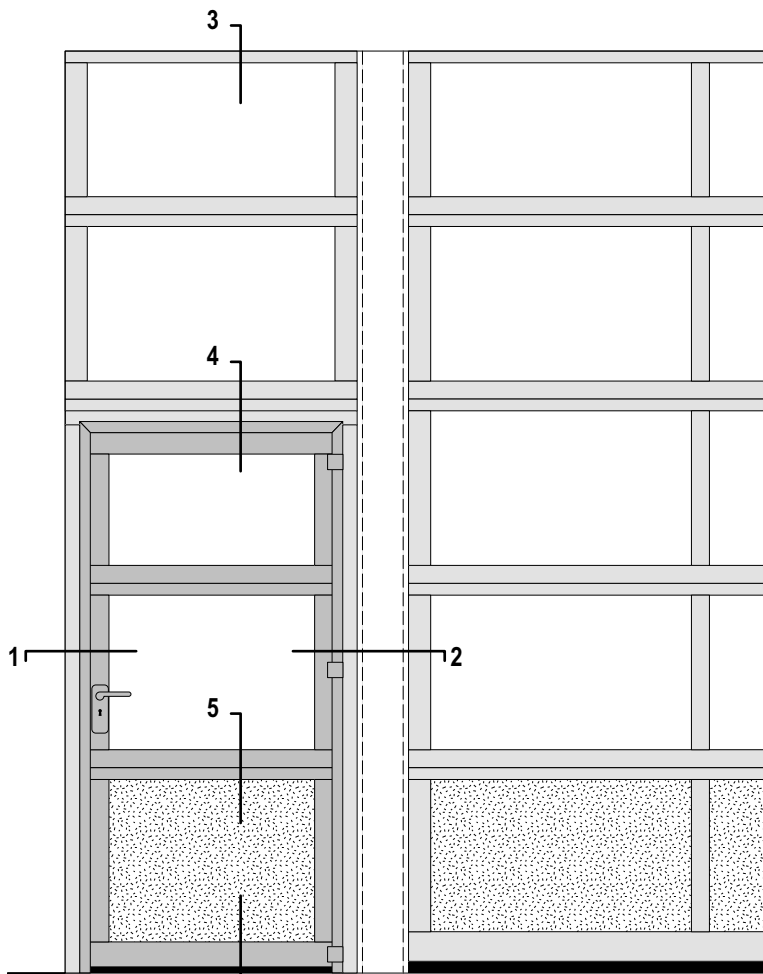


Clear opening width ≥ 5000 mm



Detail 1 : $W > 5000$ mm



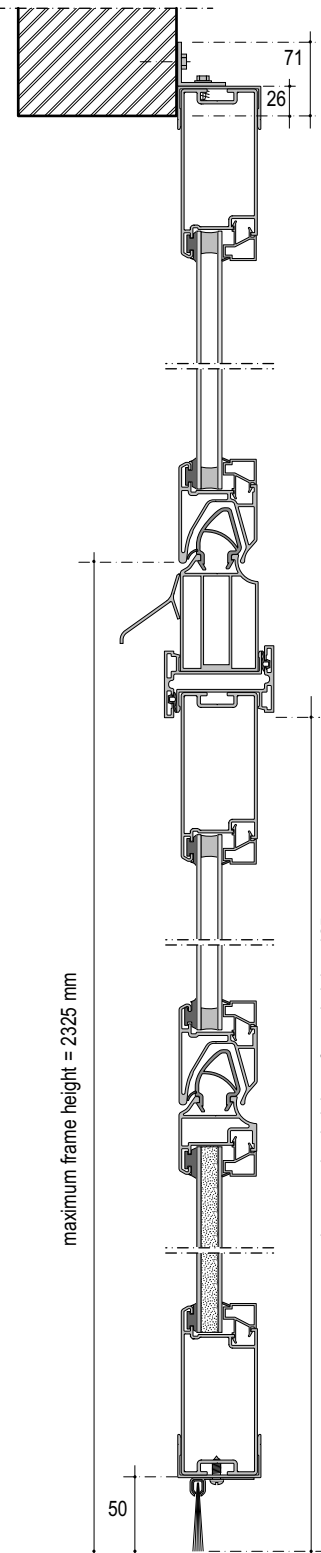


Front view from outside

Detail 3

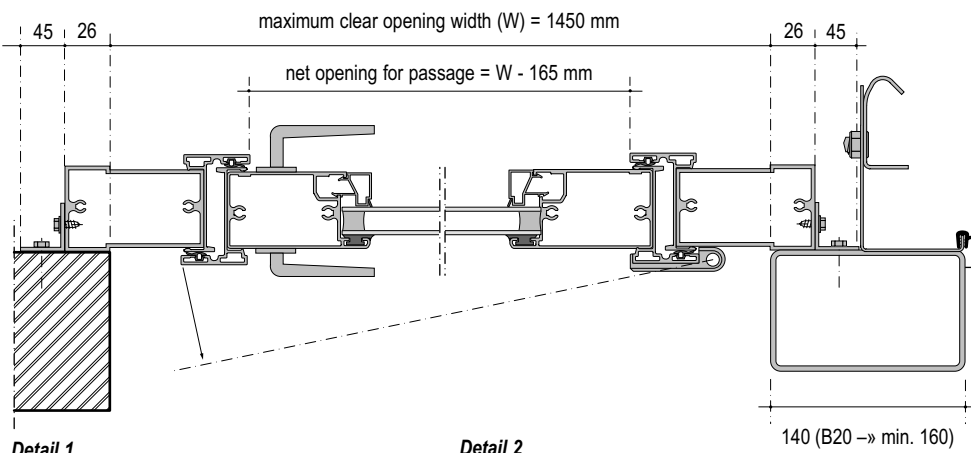
Detail 4

Detail 5



Detail 6

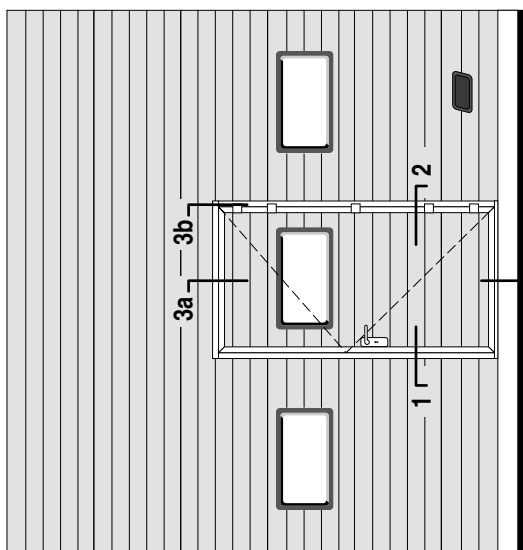
Middle beam by others, or extra price if made by Novoferm.



Detail 1

Detail 2

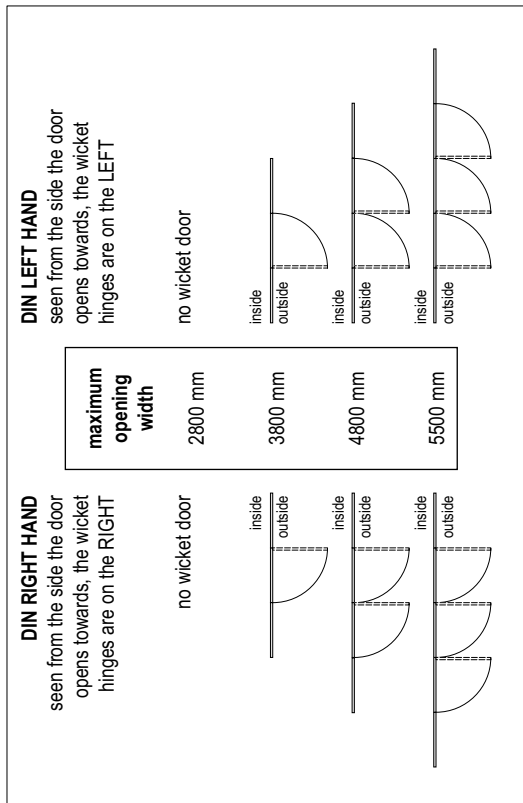
140 (B20 -> min. 160)



Outside view of Thermo45 with windows and wicket door

For an Thermo45 door with a Prisma45 section, refer to the wicket door free height and width as shown for Prisma45 with wicket door.

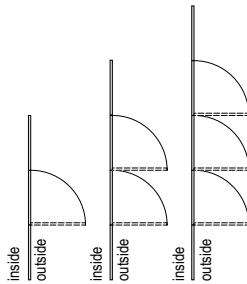
opening width ≤ 5000	field width = (opening width - 86) (number of fields)
opening width > 5000	field width = (opening width - 164) (number of fields)



DIN LEFT HAND

seen from the side the door opens towards, the wicket hinges are on the LEFT

no wicket door



maximum opening width

2800 mm

3800 mm

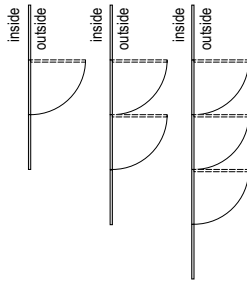
4800 mm

5500 mm

DIN RIGHT HAND

seen from the side the door opens towards, the wicket hinges are on the RIGHT

no wicket door



Dimension wicket door Thermo45

clear opening height = construction with 3 sections - 2007 mm
construction with 4 sections - 2132 mm

clear opening width =

804 mm

or field width - 175 mm

in the clear opening width ranges shown below :

min. wicket door width	in clear opening width range
753 mm	2801 - 2948 mm
777 mm	3801 - 3899 mm
791 mm	4801 - 4853 mm
754 mm	5600 - 5884 mm

A wicket door can be supplied in the Thermo45 for a clear opening width up to 6000 mm
B_{min} = 2801 mm and H_{min} = 2364 mm. For rail system B20 H_{min} = 2389 mm!

NB when built into a sectional door a wicket *always opens to the outside!*

